



## WECO® "HAMMER" UNION PRESSURE TRANSMITTER

### MODEL 170 / 270 / 370

#### FEATURES:

- Reduced zero offset due to installation
- High-accuracy option of  $\pm 0.10\%$  FSO
- Corrosion resistant, high strength fasteners eliminate housing breakage
- Hazardous location approvals
- 0 to 1000 thru 0 to 20K PSI (69 thru 1,379 BAR)
- Compatible with 2" 1502, 2002, 2202, and 602 wing union fittings

#### APPLICATIONS:

- Fracking, cementing, coil tubing and acidizing
- Mud pumps / Measure While Drilling
- Choke and kill manifolds
- Standpipe pressure
- Wellhead measurement

#### PRODUCT OVERVIEW:

The industry exclusive Model 170/270/370 WECO® Hammer Union Pressure Transmitter from GP:50 is ruggedly designed and engineered to effectively address demanding shock and vibration and installation challenges within the oilfield environment. Units are directly compatible with WECO® 2"-1502, 2202, 2002 or 602 wing union fittings. They are also available in multiple outputs, ranges, electrical connections, and area approvals to meet specific requirements.

#### FIELD OPTIONS:

- Internal, isolated shunt calibration
- Temperature output options
- 3 mV/V, 0 to 5 Vdc, 4-20 mA, CANbus outputs
- 'Connector Guard' eliminates connector breakage
- High temperature option to +350 °F (+177 °C)
- Comprehensive list of electrical connections



Model 170 / 270 / 370  
WECO® "Hammer" Union  
Pressure Transmitter



# GP:50 MODEL 170 / 270 / 370

## DIMENSIONAL DRAWING

All dimensions are in inches (mm)

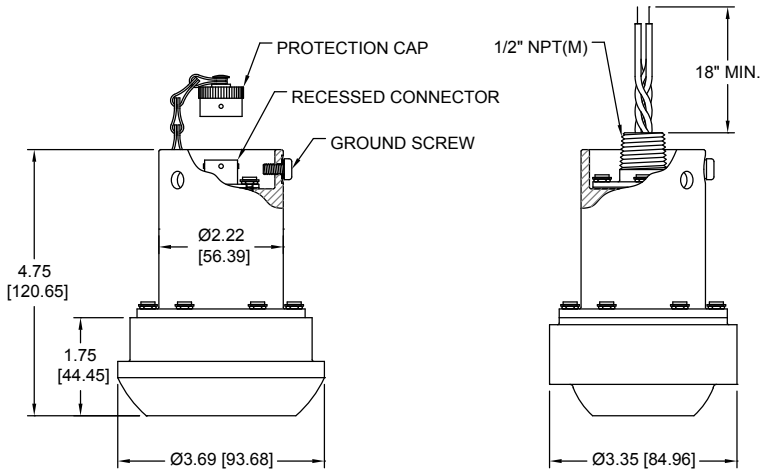
### STANDARD WIRING

PIN OR WIRE COLOR	MODEL 170/270	MODEL 370
A/1/RED	+EXC	+EXC/SIG
B/2/BLK	-EXC	-EXC/SIG
C/3/BLU	+SIG	N/C
D/4/WHT	-SIG*	CASE GND
E/5/ORG	+SHUNT/CAL**	+SHUNT/CAL**
F/6/BRN	-SHUNT/CAL**	-SHUNT/CAL**
GREEN***	CASE GND.	CASE GND.

\* MODEL 270 ONLY, JUMPED TO -EXC (PIN B/2 OR BLACK WIRE)

\*\* NO CONNECT FOR OPTION QY

\*\*\* FOR OPTION CF



**2" #1502 CONFIGURATION**  
(SHOWN WITH "CA" CONNECTOR)

**2" #2002/2202 CONFIGURATION**  
(SHOWN WITH "CF" CONNECTOR)

## REFERENCE SPECIFICATIONS

ELECTRICAL	ACCURACY
<ul style="list-style-type: none"> <li><b>Supply Voltage:</b> (Model 170) 5 to 16 Vdc max (Model 270) 9 to 36 Vdc (Model 370) 9 to 36 Vdc (10 to 28 Vdc for IS approvals)</li> <li><b>Output Signal:</b> (Model 170) 1.6 mV/V typical (Model 270) 0 to 5 Vdc (Model 370) 4-20 mA (Model 570) CANbus J1939</li> <li><b>Load Resistance:</b> (Model 170) &gt;100K Ω (Model 270) &gt;10K Ω</li> <li><b>Connection:</b> Bendix PTO2E-10-6P</li> <li><b>Input Current:</b> (Model 170) 1 mA (Model 270) 8 mA (Model 370) 23 mA max.</li> <li><b>Shunt Calibration:</b> (Model 170/270) 100% FSO ±0.2% shorting E + F (Model 370) 100% FSO ±0.2% exciting E + F</li> </ul>	<p><b>Static Accuracy</b> (Hysteresis, Non-Linearity &amp; Repeatability @ +70 °F)</p> <ul style="list-style-type: none"> <li>Standard: ≤ ±0.25% FSO (BFSL)</li> <li>Improved: ≤ ±0.10% FSO (BFSL)</li> <li>Zero Balance: ±0.50% FSO typ / ± 1.0% FSO max</li> <li>Span: ±0.50% FSO typ / ± 1.0% FSO max</li> </ul>
	MECHANICAL
	<ul style="list-style-type: none"> <li><b>Process Connection:</b> WECO® 2"- 1502, 2002/2202 or 602</li> <li><b>Proof Pressure:</b> 1.5X FSO or 22.5K PSI, whichever is less</li> <li><b>Burst Pressure:</b> 3.0X FSO</li> <li><b>Approximate weight:</b> &lt;6 lbs (2.7 kg) (options may affect weight)</li> <li><b>Ingress Protection:</b> IP67 (some options may effect rating)</li> </ul>
	PRESSURE RANGES
	0 to 1000 PSI thru 0 to 20K PSI (69 thru 1,379 BAR)
	THERMAL SPECIFICATIONS
	<ul style="list-style-type: none"> <li><b>Compensated:</b> -40 °F to +180 °F (-40 °C to +80 °C)</li> <li><b>Operating:</b> -50 °F to +190 °F (-45 °C to +85 °C) Optional high-temperature version to +350 °F (+177 °C)</li> <li><b>Zero/ Span:</b> &lt;1.0% FSO/100 °F</li> </ul>
	APPROVALS (370 SERIES ONLY)
	<ul style="list-style-type: none"> <li>FM/CSA/ATEX/IEC Class 1 Div 1/Zone 0 Intrinsic Safety</li> <li>FM/CSA/ATEX/IEC Class 1 Div 2/Zone 2</li> <li>CE marked</li> </ul>
MATERIALS OF CONSTRUCTION	
<ul style="list-style-type: none"> <li><b>Sensor: Wetted Material Selectable</b> Standard Operation: 17-4 PH (H1025) SST for ≤10K PSI and Inconel 718 NACE for ≥ 15K PSI Optional Inconel X750 or 718</li> <li><b>Housing:</b> 300 Series Stainless Steel</li> </ul>	

**Standard configurations shown.  
Please consult factory for other options.**

All specifications are for reference purposes only. In the interests of continuous product improvement, all specifications are subject to change without notice. Please contact GP:50 for assistance with your application.

WECO® is a federally registered trademark of FMC Technologies

© 2014 GP:50 NY Ltd. | 2770 Long Rd, Grand Island, NY 14072 USA

Tel: +1.716.773.9300 Fax: +1.716.773.5019 Email: sales@gp50.com Web: www.gp50.com

